
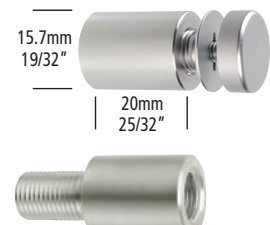


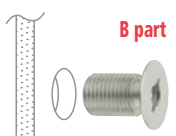
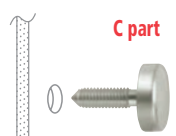
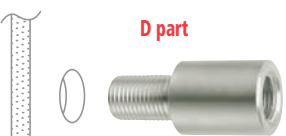




# multi•mount™

## s t a n d o f f s

Plastic Range	Standard Sizes	January 2009
<p><b>Small</b></p> 	<p><b>Medium</b></p> 	<p><b>Large</b></p> 

Standard Parts	Maximum Loads and Widths	Optional Extras
<p><b>A part</b></p>  <p>The internal back wall of A parts is designed to accommodate the head of an 8 or 9 gauge countersunk screw or bolt.</p>	<p><b>B part</b></p>  <p>B parts screw into A or D parts. Thread Size: 10mm = 3/8"</p>	<p><b>C part</b></p>  <p>C parts screw into B parts. Thread Size: 4.75mm = 3/16"</p>
		<p><b>D part</b></p>  <p>D parts screw between A and B parts to hold more panels and/or increase the standoff distance. Thread Size: 10mm = 3/8"</p>

PART ▶	B PARTS		C PARTS		D PARTS	
	Metric	Imperial	Metric	Imperial	Metric	Imperial
<b>SMALL</b>						
Max load per part	6.00 kgs	13.20 lbs	4.00 kgs	8.80 lbs	6.00 kgs	13.20 lbs
Max panel weight	12.00 kgs	26.40 lbs	8.00 kgs	17.60 lbs	12.00 kgs	26.40 lbs
Max panel width	<b>6mm</b>	<b>1/4"</b>	<b>6mm</b>	<b>1/4"</b>	<b>6mm</b>	<b>1/4"</b>
<b>MEDIUM</b>						
Max load per part	8.00 kgs	17.60 lbs	4.00 kgs	8.80 lbs	8.00 kgs	17.60 lbs
Max panel weight	16.00 kgs	35.20 lbs	8.00 kgs	17.60 lbs	16.00 kgs	35.20 lbs
Max panel width	<b>9mm</b>	<b>11/32"</b>	<b>9mm</b>	<b>11/32"</b>	<b>9mm</b>	<b>11/32"</b>
<b>LARGE</b>						
Max load per part	10.00 kgs	22.00 lbs	4.00 kgs	8.80 lbs	10.00 kgs	22.00 lbs
Max panel weight	20.00 kgs	44.00 lbs	8.00 kgs	17.60 lbs	20.00 kgs	44.00 lbs
Max panel width	<b>12mm</b>	<b>1/2"</b>	<b>10mm</b>	<b>3/8"</b>	<b>12mm</b>	<b>1/2"</b>

**IMPORTANT**

- Maximum load per multimount should not exceed the maximum load per B part.
- Maximum total load should not exceed the maximum panel weight in the B parts column.

**Installers must ensure that:**

- Any of the limits detailed above are not exceeded.
- A parts are securely fixed using screws or bolts that are strong enough to support the total load.
- When A parts are mounted on brick, concrete or hollow walls etc then anchors, cavity fasteners, plugs or toggles designed for use with that type of wall are used.

[www.pizazzmultimounts.com](http://www.pizazzmultimounts.com)

Pizazz and multi•mount are trademarks of Pizazz International Limited.

multi•mounts are patented under US Patents #6,470,612, #6,974,290, European Patent #1095366 and counterparts thereof in other countries. Other patents pending.